

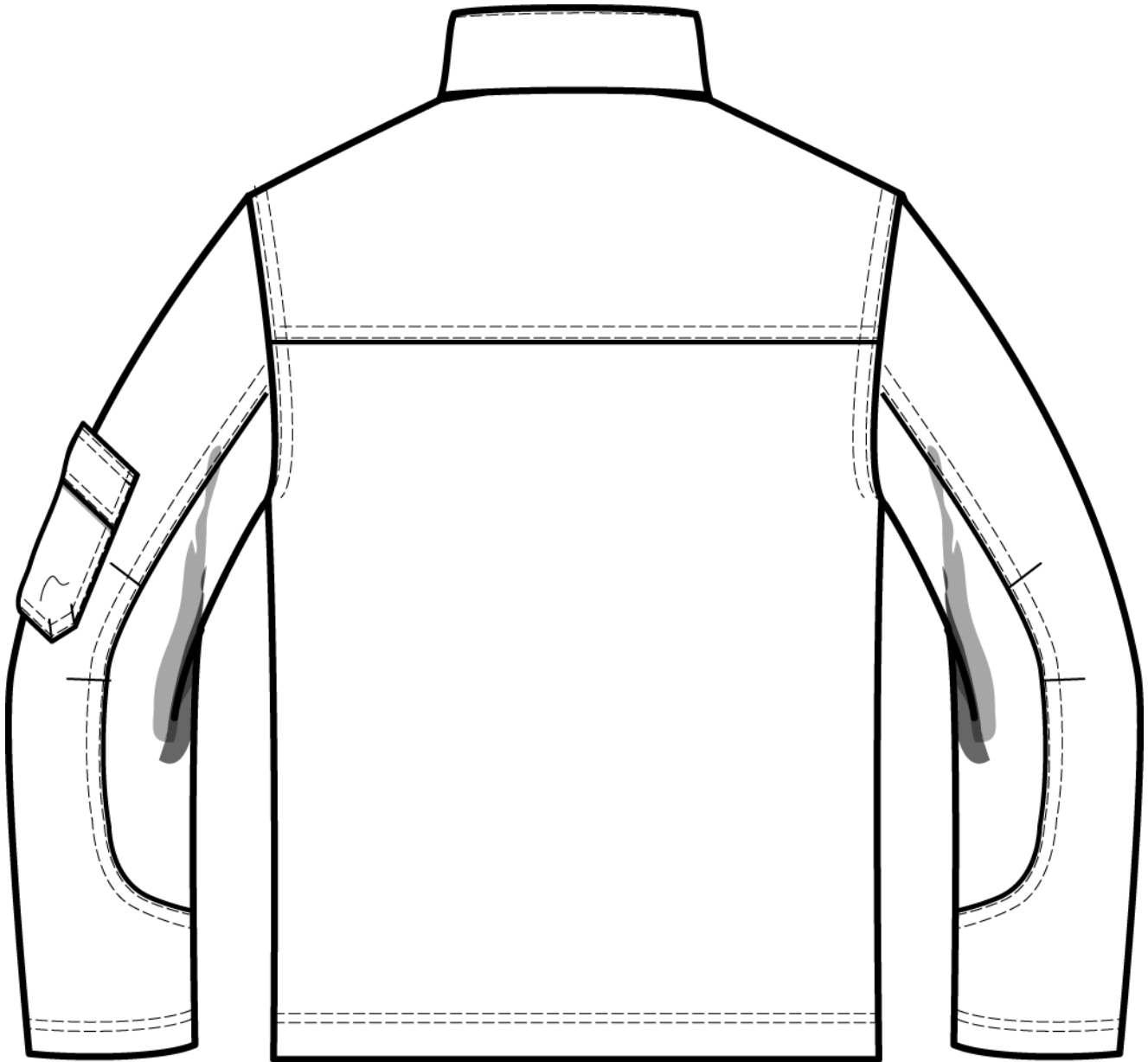
**SGA**  
**FRONT SKETCH**

<b>Date: 2/26/04 (REVISED)</b>	<b>Season: FALL 2004</b>
<b>Label: ARIZONA JEANS CO.</b>	<b>Style#: 2811</b>
<b>Garment type: RANGER JACKET</b>	<b>Reference:</b>
<b>1<sup>st</sup> Proto color: LIGHT BROWN</b>	<b>Executed by: Raymond Curiale</b>



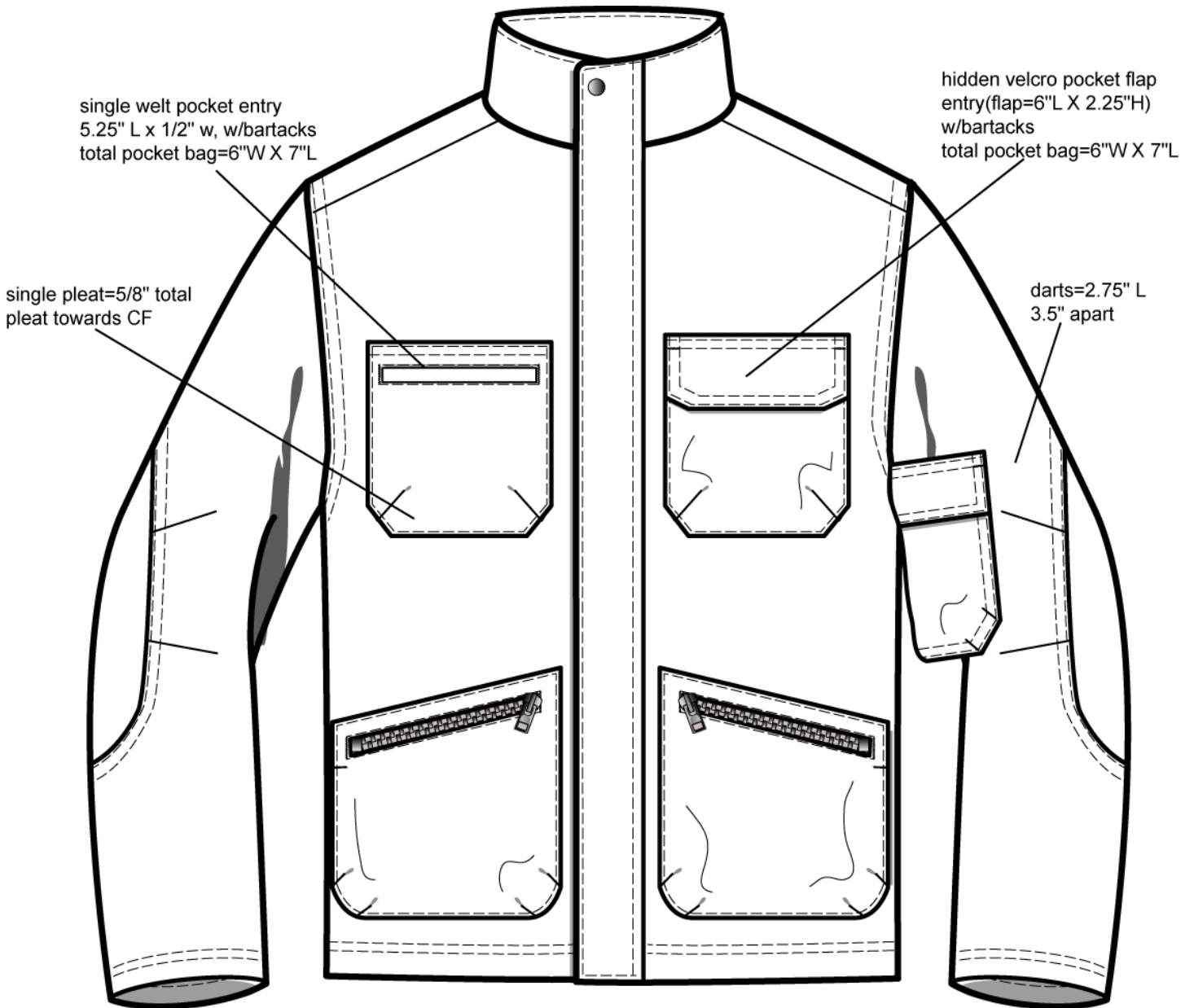
**SGA  
BACK SKETCH**

Date: 2/26/04 (REVISED)	Season: FALL 2004
Label: ARIZONA JEANS CO.	Style#: 2811
Garment type: RANGER JACKET	Reference:



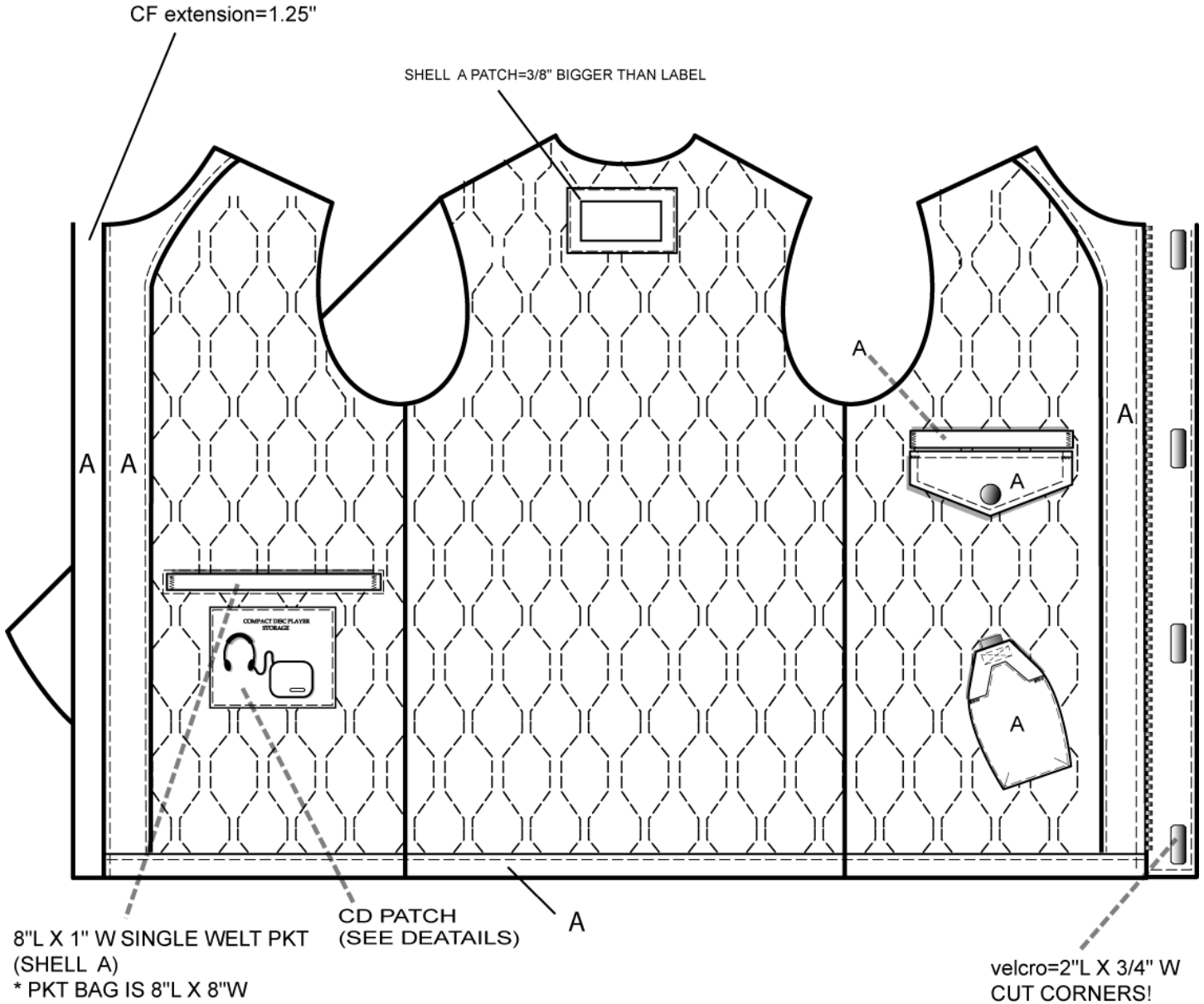
# SGA DETAIL SKETCH

Date: 2/26/04 (REVISED)	Season: FALL 2004
Label: ARIZONA JEANS CO.	Style#: 2811
Garment type: RANGER JACKET	Reference:



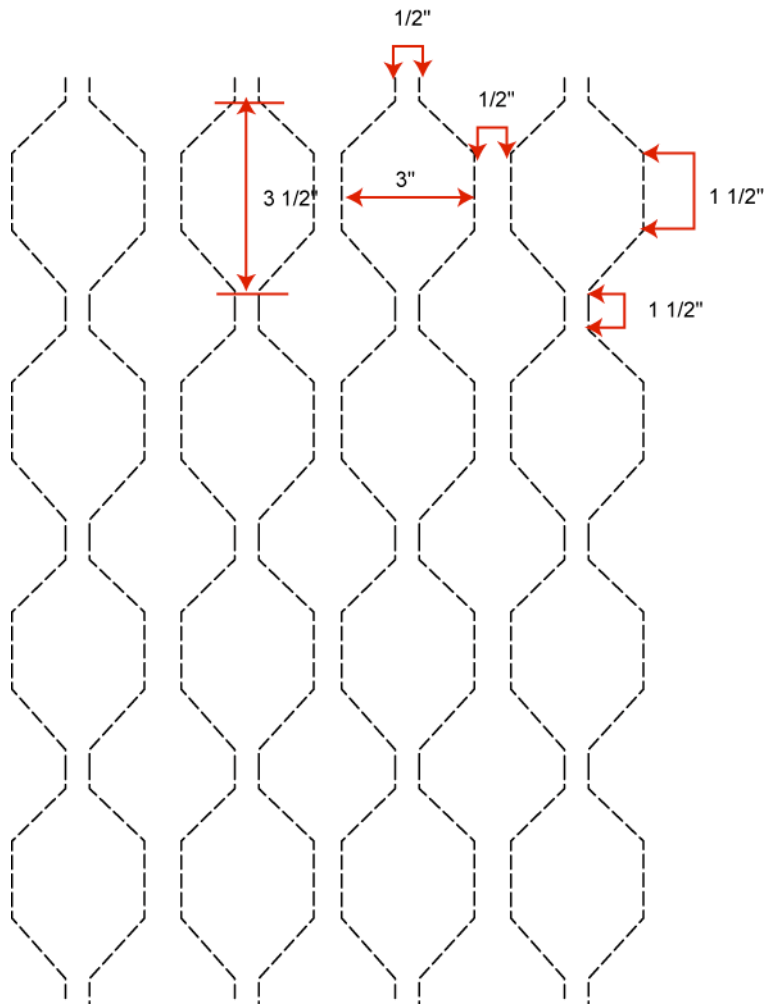
# SGA DETAIL SHEET

Date: 2/26/04 (REVISED)	Season: FALL 2004
Label: ARIZONA JEANS CO.	Style#: 2811
Garment type: RANGER JACKET	Reference:
For: inside lining	



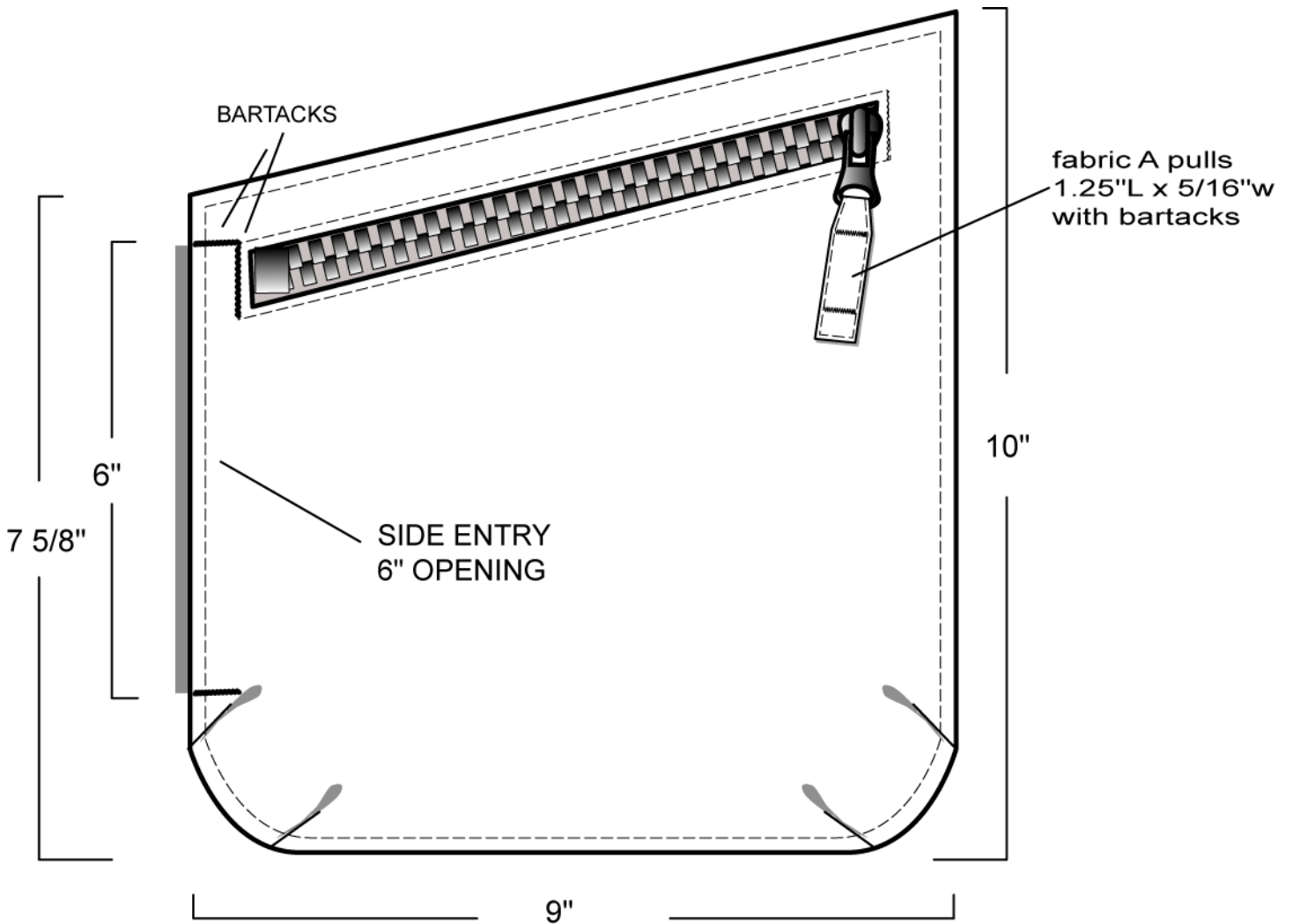
# SGA DETAIL SHEET

Date: 2/26/04 (REVISED)	Season: FALL 2004
Label: ARIZONA JEANS CO.	Style#: 2811
Garment type: RANGER JACKET	Reference:
For: LINING QUILT	



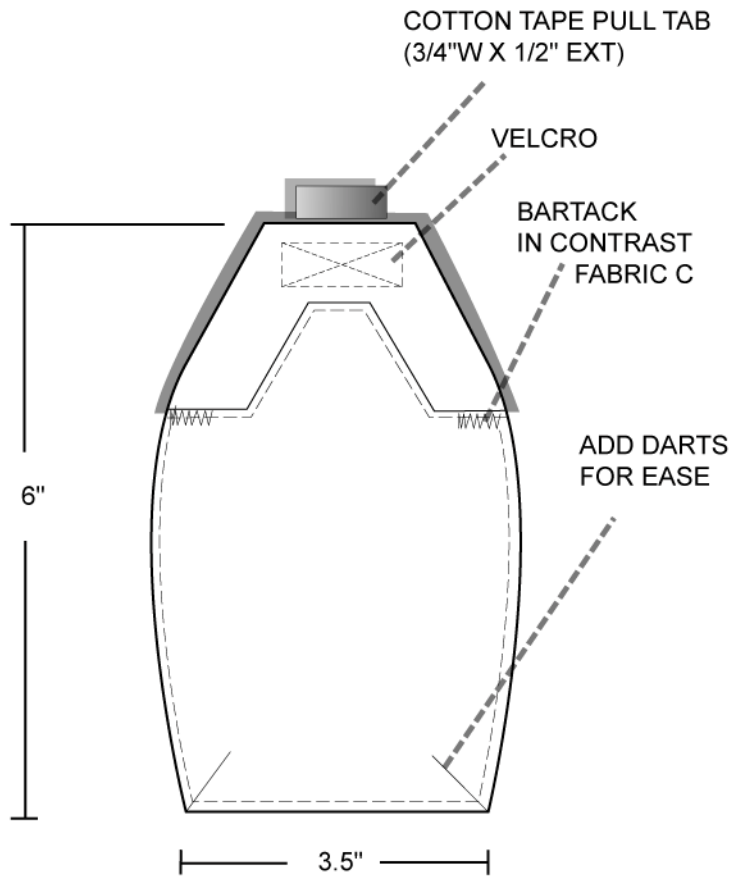
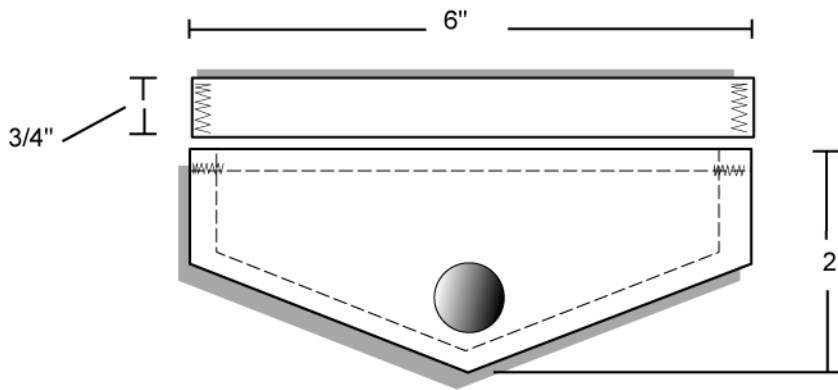
# SGA DETAIL SHEET

Date: 2/26/04 (REVISED)	Season: FALL 2004
Label: ARIZONA JEANS CO.	Style#: 2811
Garment type: RANGER JACKET	Reference:
For: FRONT LOWER POCKETS	



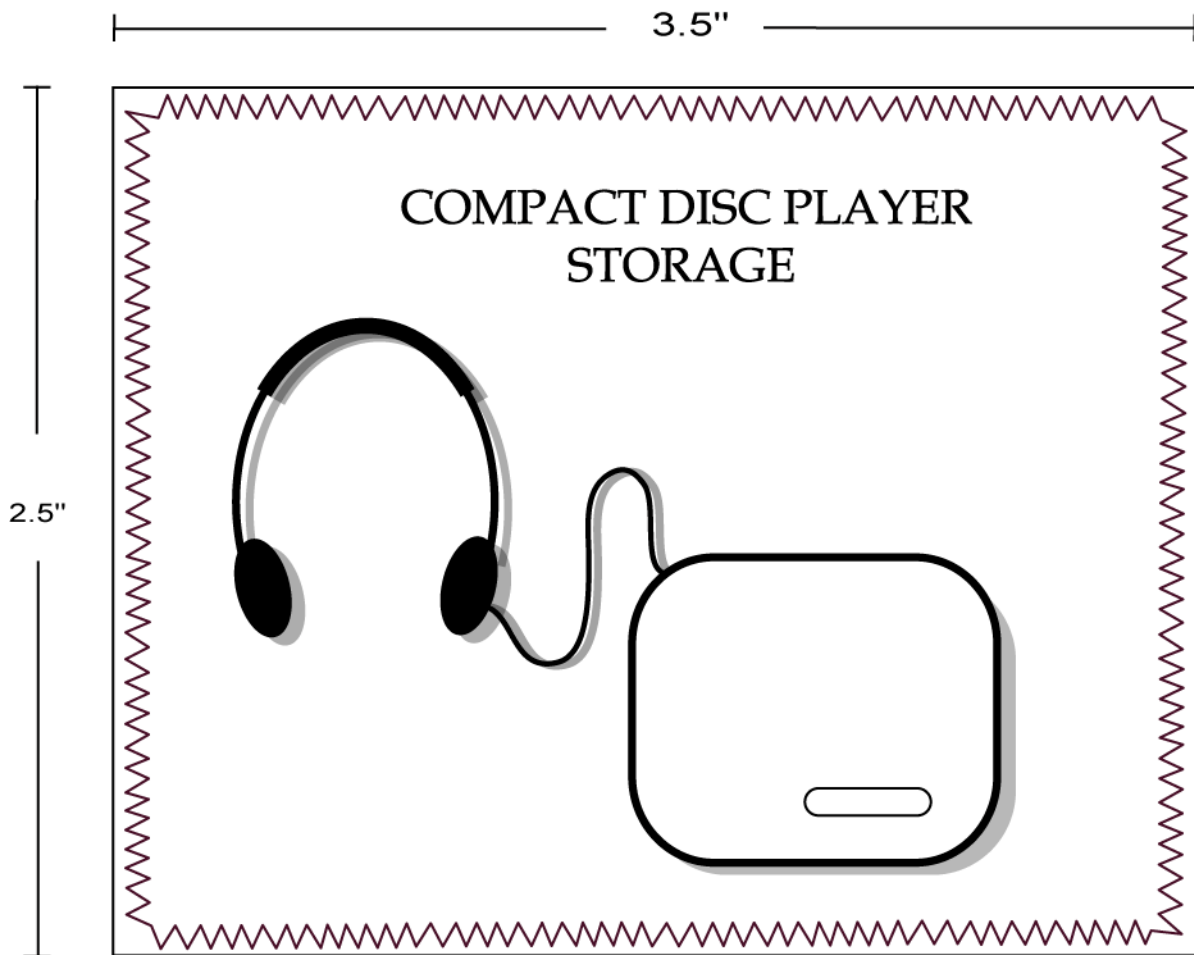
# SGA DETAIL SHEET

Date: 2/26/04 (REVISED)	Season: FALL 2004
Label: ARIZONA JEANS CO.	Style#: 2811
Garment type: RANGER JACKET	Reference:
For: INSIDE LEFT SIDE POCKETS	



**SGA  
DETAIL SHEET**

Date: 2/26/04 (REVISED)	Season: FALL 2004
Label: ARIZONA JEANS CO.	Style#: 2811
Garment type: RANGER JACKET	Reference:
For: CD PATCH	



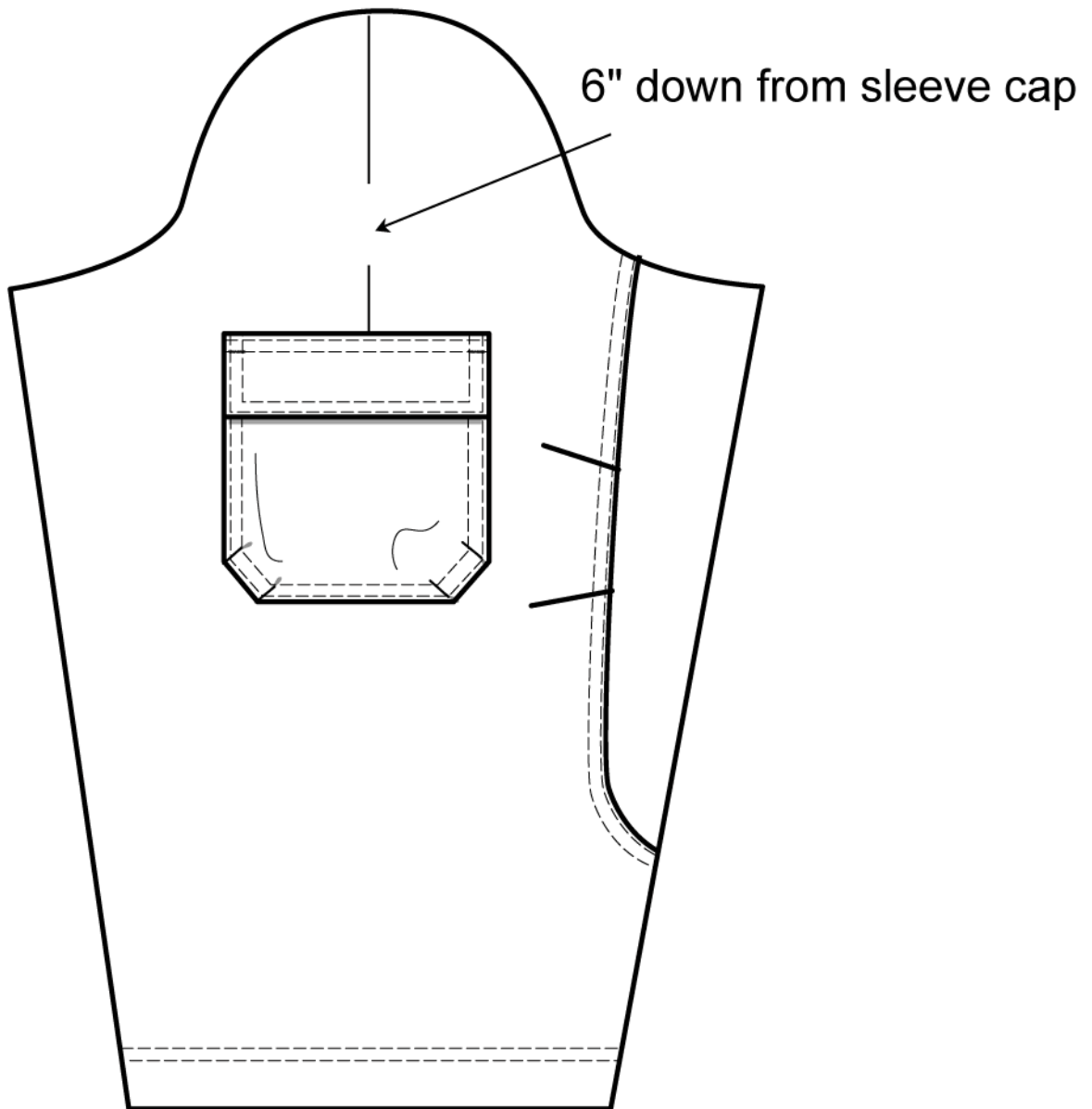
**\*PRINT ON TYVEK  
THEN ZIG-ZAG STITCH  
TO LINING**



**SGA  
DETAIL SHEET**

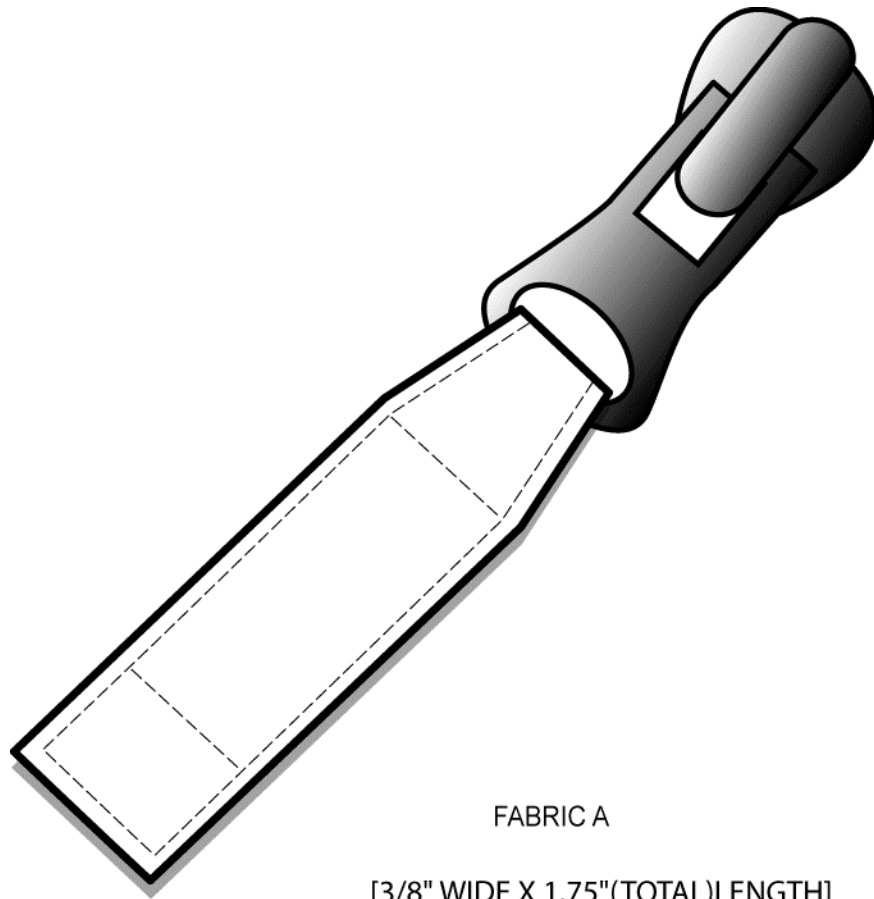
Date: 2/26/04 (REVISED)	Season: FALL 2004
Label: ARIZONA JEANS CO.	Style#: 2811
Garment type: RANGER JACKET	Reference:
For: SLEEVE POCKET PLACEMENT	

wearer's left sleeve for pocket placement



**SGA  
DETAIL SHEET**

Date: 2/26/04 (REVISED))	Season: FALL 2004
Label: ARIZONA JEANS CO.	Style#: 2811
Garment type: RANGER JACKET	Reference:
For: ZIPPER PULL @ CF	



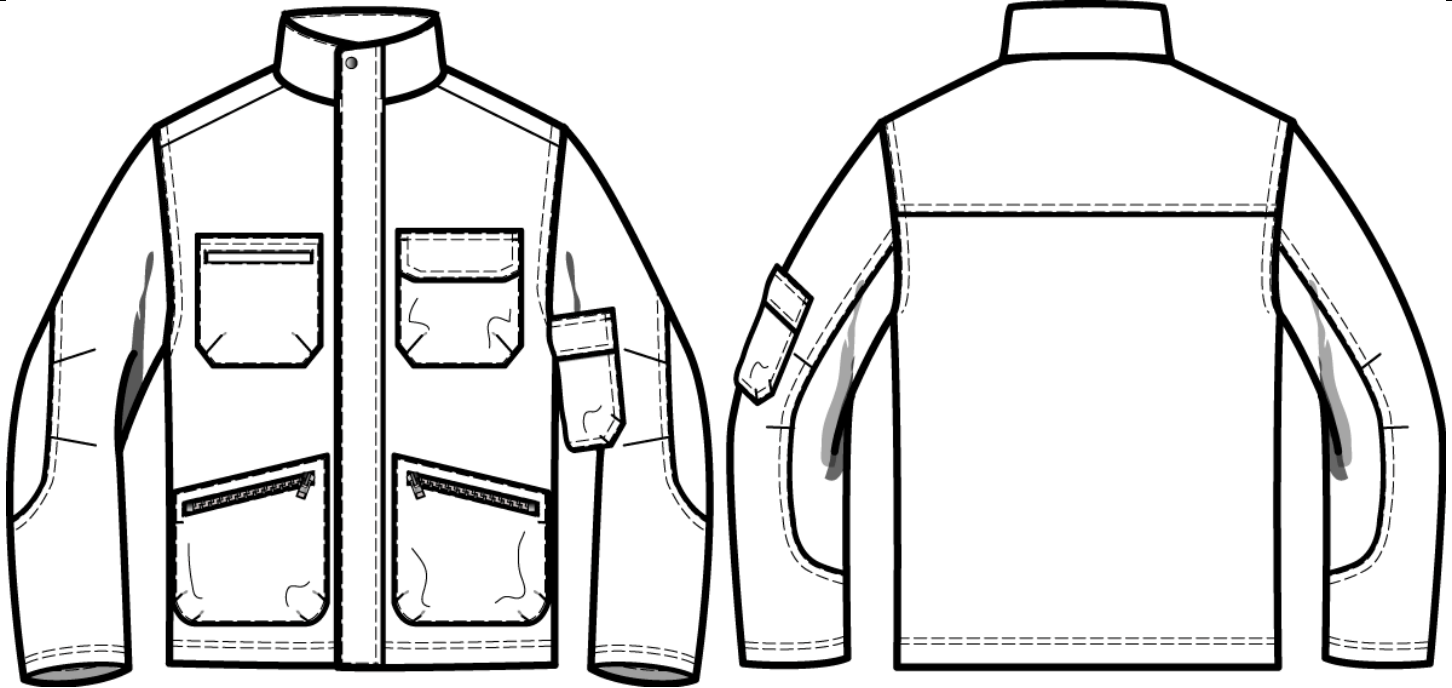
FABRIC A

[3/8" WIDE X 1.75"(TOTAL)LENGTH]

# SGA

## FABRIC PLACEMENT SHEET page 1

<b>Date:</b> 2/26/04 (REVISED)	<b>Season:</b> FALL 2004
<b>Label:</b> ARIZONA JEANS CO.	<b>Style#:</b> 2811
<b>Garment type:</b> RANGER JACKET	<b>Reference:</b>
<b>Fabric:</b> 100% COTTON SATEEN	



Fabric Placement:	Supplier:	Ref#:	Colorway#1	Colorway#2	Colorway#3
A-Body: all pkt flaps & welts, front& back main body, sleeves, collar, CF facing & storm flap, cell phone pkt , main label patch	SGA SHANGHAI	100% COTTON BROKEN TWILL SATEEN 116 X 60 32/2 X 21/2 43/44"	LIGHT BROWN (SCOTDIC # 23-4003)	DARK BROWN (SCOTDIC # 19-2001)	DEEP OLIVE (PANTONE # 19-0822)
B-Lining: body, sleeves	SGA HK	100% 210T poly taffeta	DTM A	DTM A	DTM A

### Lining Details:

Insulation type	Placement	Quilting
4 oz polyfill	BODY	FOLLOW SKETCH
2 oz polyfill	SLEEVES	CHANNEL AS NEEDED

<b>WASHING INSTRUCTIONS:</b>	<b>REFER TO: ENZYME WASH W/ OVERDYE (SEE STANDARD)</b>
------------------------------	--

**SGA**  
**FABRIC SWATCH page 2**

<b>Date: 2/26/04 (REVISED)</b>	<b>Season: FALL 2004</b>
<b>Label: ARIZONA JEANS CO.</b>	<b>Style#: 2811</b>
<b>Garment type: RANGER JACKET</b>	<b>Reference:</b>
<b>Fabric: 100% COTTON SATEEN</b>	

SGA SHANGHAI  
100% COTTON BROKEN TWILL SATEEN  
116 X 60 32/2 X 21/2  
43/44"



**SGA**  
**TRIM SHEET page3**  
Style# 2811 Date: 2/26/04 (REVISED)

<b>Label Type:</b> ARIZONA JEANS CO. ART# AZ-00-254-A COLOR: KHAKI		<b>Placement:</b> @ CB 2" BELOW NECK ON PATCH		
<b>Hangtag:</b>		<b>Placement:</b>		
<b>Thread weight:</b> NORMAL		<b>Color:</b> Dtm placement		
<b>Pocketing:</b> cotton flannel		<b>Color:</b> Dtm A		
<b>Pocketing Detail Info:</b> welt pkts only				
<b>Zipper Placement:</b>	<b>Supplier:</b>	<b>Reference:</b>	<b>TAPE:</b> <b>TEETH:</b>	<b>Color:</b>
CF	YBS	metal-OPEN END	DTM A Brass	Ant.
LOWER POCKETS	YBS	metal-CLOSED END	DTM A Brass	Ant.
<b>Zipper Pull:</b> DALH		<b>Color:</b> Ant. Brass		
<b>Tape:</b> Type: cotton canvas	<b>Color:</b> DTM A	<b>Placement:</b> 1 @ inside cellphone pkt tab	<b>Size:</b> See detail drawings	
<b>Velcro:</b> Ref#/Supplier: sew on	<b>Color:</b> Dtm A	<b>Placement:</b> 1 @ cell phone pkt 1 @ chest pkt flap 1 @ arm pkt flap 4 @ CF	<b>Size:</b> See sketches " " "	
<b>Type/Code:</b>	<b>Placement:</b>	<b>Quantity</b>	<b>Color/Finish:</b>	<b>Size:</b>
<b>Snaps:</b> metal- spring type/SGA HK	@ CF collar @ inside left pkt flap	1 1	Ant.brass "	15mm "
<b>Label:</b> Type: Ref#/Supplier: TYVEK w/ CD PKT ARTWORK	<b>Color:</b> BROWN (SEE QUALITY) STITCH W/ MAROON THREAD(SEE SAMPLE)	<b>Placement:</b> Wearer's right below CD welt pkt	<b>Size:</b> See sketch	

# SGA

## SPEC + FIT SHEET page 4

Style# - 2811 Date: 2/26/04 (REVISED))

Other/ Misc. / Stitch and Trim Details: BARTACK ALL PKT FLAPS AND POCKET WELTS & FOLLOW ALL SKETCH DETAILS

SIZE SPECIFICATIONS	INITIAL SPEC	FIRST PROTO	SECOND PROTO	FINAL	FIT REMARKS
Sample Size: L					
CB LENGTH	32				
CF PLACKET WIDTH	2.5				
ACROSS CHEST	52				
BOTTOM CIRC-(SWEEP)	50				
ACROSS SHOULDER	21				
ARMHOLE CIRCUMFERENCE	25				
SLEEVE LENGTH(CB)	36.5				
CUFF OPENING	12.5				
CLLR HEIGHT-CB	2.5				
					Final Approval/Date _____

<b>ADDITIONAL COMMENTS:</b>
-----------------------------